

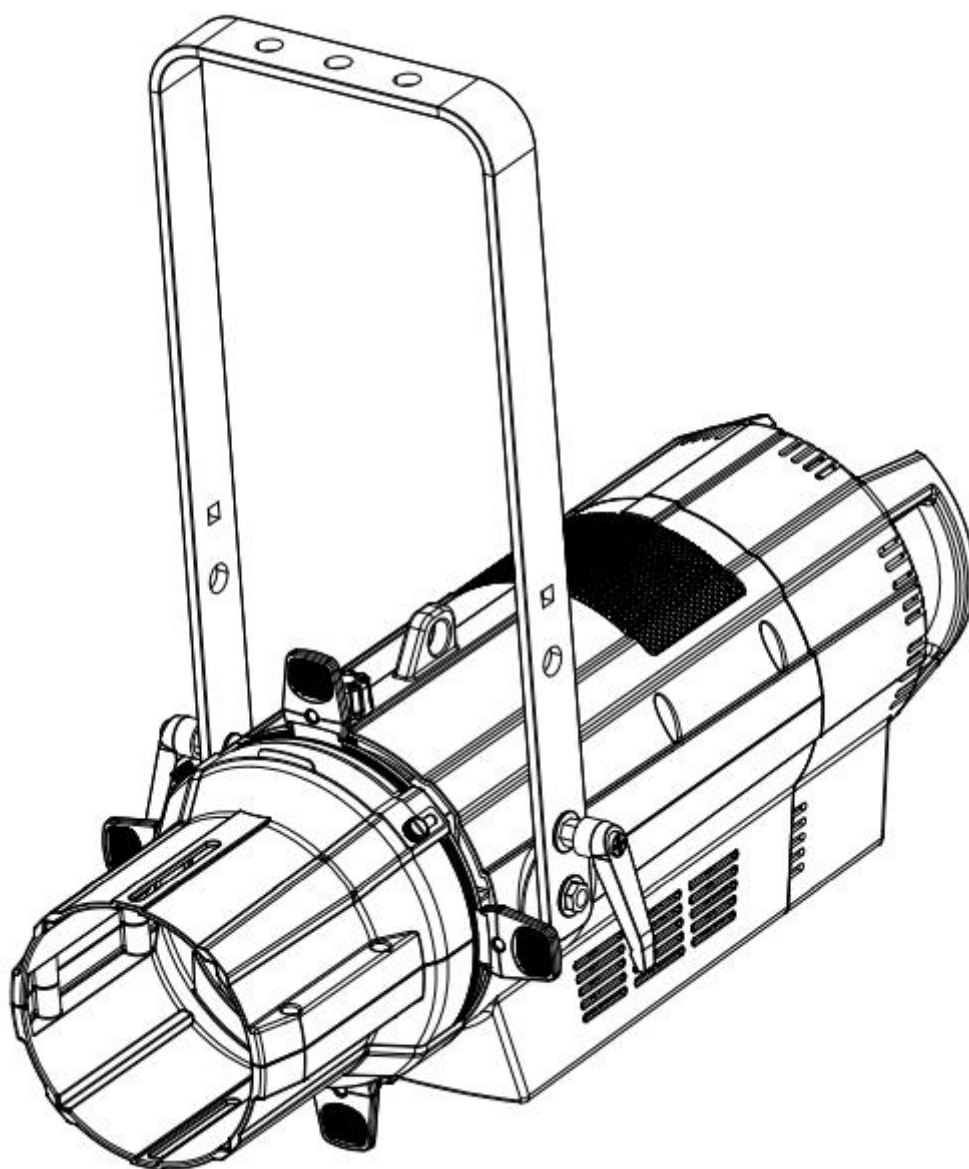
SHOWPRO

EK

LED Profile VW500

USER MANUAL

LEDMOV135



WARNING! Before carrying out any operations with the unit, carefully read this instruction manual and keep it with care for future reference. It contains important information about the installation, usage, and maintenance of the unit.

SAFETY

General instructions

- The products referred to in this manual conform to the European Community Directives and are therefore marked with CE.
- The unit is supplied with hazardous network voltage (230V~). Leave servicing to skilled personnel only. Never make any modifications on the unit not described in this instruction manual, otherwise you will risk an electric shock.
- Connection must be made to a power supply system fitted with efficient earthing (Class I appliance according to standard EN 60598-1). It is, moreover, recommended to protect the supply lines of the units from indirect contact and/or shorting to earth by using appropriately sized residual current devices.
- The connection to the mains network must be carried out by a qualified electrical installer. Check that the main frequency and voltage correspond to those for which the unit is designed as given on the electrical data label.
- The unit is not for home use, only professional applications.
- Never use the fixture under the following conditions:
 - In places subject to vibrations or bumps
 - In places with temperatures over 40°C
- Make certain that no flammable liquids, water, or metallic objects enter the fixture.
- Do not dismantle or modify the fixture.
- All work must be carried out by qualified technical personnel. Contact the nearest sales point for an inspection or contact the manufacturer directly.
- If the unit is to be put of operation definitively, take it to a local recycling plant for a disposal which is not harmful to the environment.

Warnings and installation precautions

- If this device will be operated in any way different to the one described in this manual, it may suffer damage and the warranty becomes void. Furthermore, any other operation may lead to dangers like short circuit, burns, electrical shock, etc.
- Before starting any maintenance or cleaning the fixture, cut off power from the main supply.
- Always additionally secure the fixture with a safety cable. When carrying out any work, always comply with all the regulations (particularly regarding safety) currently in force in the country in which the fixture is being used.
- Install the fixture in a well-ventilated place.
- Keep any flammable material at a safe distance from the fixture.
- Shields, lenses, or ultraviolet screens shall be changed if they have become damaged to such an extent that their effectiveness is impaired.
- The lamp (LED) shall be changed if it has become damaged or thermally deformed.
- Never look directly at the light beam. Please note that flashing lights, may trigger epileptic seizures in photosensitive persons or persons with epilepsy.
- Do not touch the product's housing when operating because it may be very hot.

INTRODUCTION

The LED Profile VW500 is a variable white LED profile.

Features

- 500W LED with exquisite colour rendering (up to CRI 95)
- Innovative five-colour mixable LED light source
- Variable white colour temperature presets from 2800K – 8000K
- Adjustable +/- green hue tuning
- Independent control of discrete source colours (red, green, blue, amber, lime)
- Higher output than traditional 1000W ellipsoidal reflector spotlights
- Flawless dimming with consistent colour temperature throughout the dimming curve
- Flicker-free output with selectable PWM frequencies for worry-free video
- Crisp gobo image projection, even at close range
- Extremely flat field projection
- Quiet operation suitable for studio use (two selectable fan modes)
- Power linking (Powercon In/Out)
- Rugged die-cast body and low-maintenance design
- Master/Slave mode, auto shows
- Manual control via onboard menu
- 16-bit dimming with selection of four dimming curves
- DMX control
- Available fixed lens tubes: 14° - 19° - 26° - 36° - 50° (not included)
- Available zoom lens tubes: 15°-30° or 25°-50° (not included)

Specifications

Light Source:	500W RGBAL 2800L – 8000K (up to CRI 95)
Beam Angle:	14° - 19° - 26° - 36° - 50° / 15°-30° or 25°-50°
Output:	11622 lumens
Colour Temperature:	2800K – 8000K
Focus:	Manual
Strobe:	0 – 30Hz
Dimming:	4 dimming curve modes
Control:	DMX
DMX modes:	1 / 4 / 5 / 7 / 11 / 13 / 13.2 / 17 / HSV
Built-in Programs:	Yes
Display:	TFT display with 4 function buttons
Mains:	100 – 240V, 50/60Hz
Consumption:	330W continuous
Power Connections:	Powercon In/Out
Data Connections:	5 pin XLR In /Out for DMX
Housing:	Diecast aluminium
Finish:	Matte black or white
IP Rating:	IP20
Cooling:	Active (variable fan speed)
Operating Temperature:	-20°C - 40°C
Max. Housing:	60°C
Dimensions:	596 x 288 x 551mm
Weight:	8kg

MAINTENANCE

Maintenance and cleaning the unit

- Make sure the area below the installation place is free from unwanted persons during setup.
- Switch off the unit, unplug the main cable and wait until the unit has cooled down.
- All screws used for installing the device and any of its parts should be tightly fastened and should not be corroded.
- Housing, fitting points and installation spots (ceiling, trusses, suspensions) should be completely free of deformation.
- The main cables should be undamaged and must be replaced if even a small problem is detected.
- It is recommended to clean the front at regular intervals, from impurities caused by dust, smoke, or other particles to ensure that the light is radiated at maximum brightness. For cleaning, disconnect the main plug from the socket. Use a soft, clean cloth moistened with a mild detergent. Then carefully wipe the part dry. For cleaning other housing parts use only a soft, clean cloth. Never use a liquid, it might penetrate the unit and cause damage to it.

Fuse Replacement

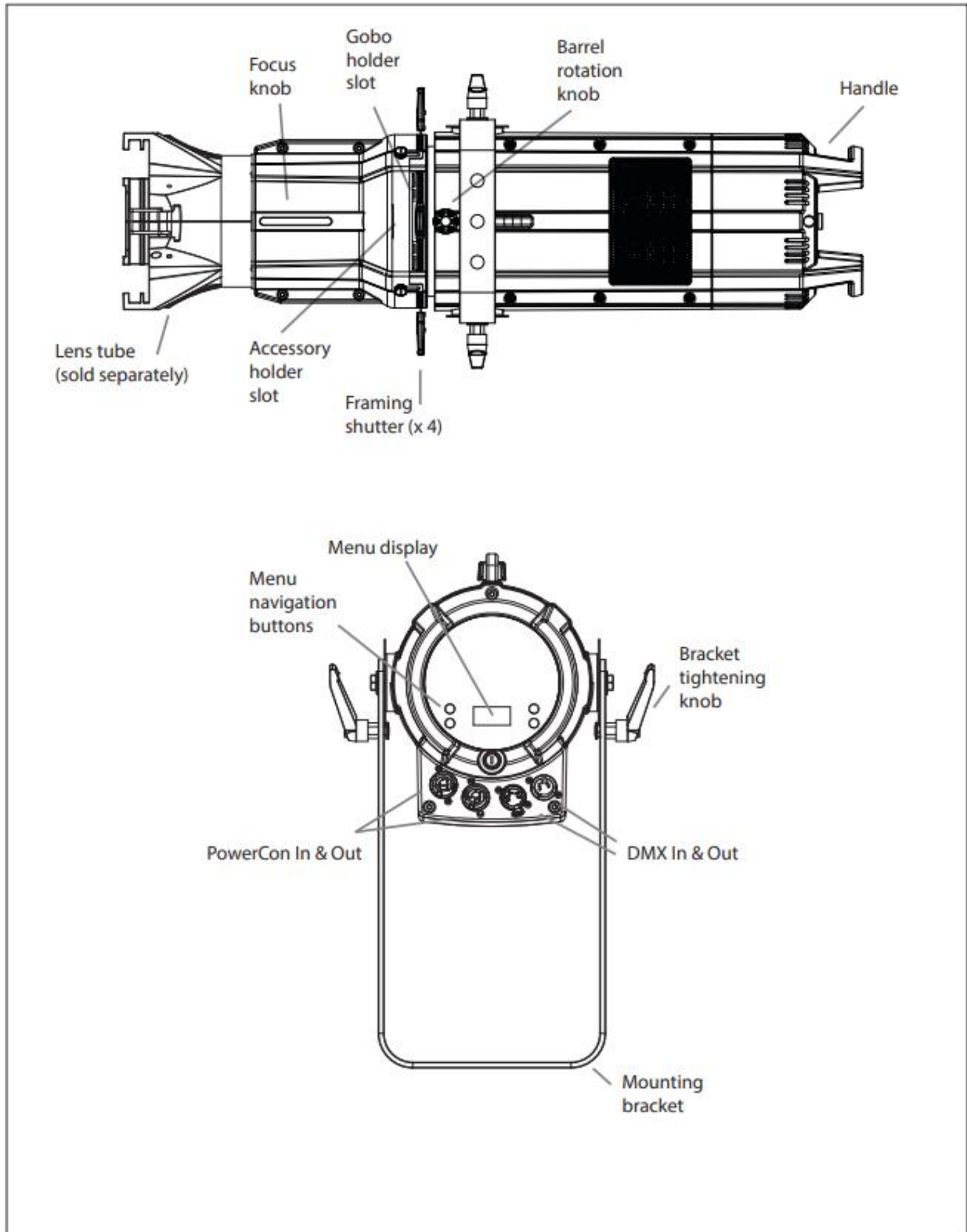
1. Disconnect this product from the power outlet.
2. Using a screwdriver, unscrew the fuse holder cap from the housing.
3. Remove the blown fuse and replace with a good fuse of the same type and rating (250V/T3.15A).
4. Screw the fuse holder cap back into place and reconnect power.

TROUBLESHOOTING

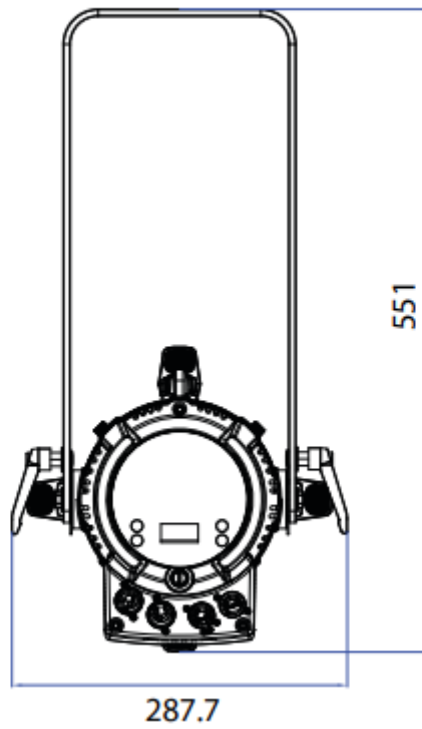
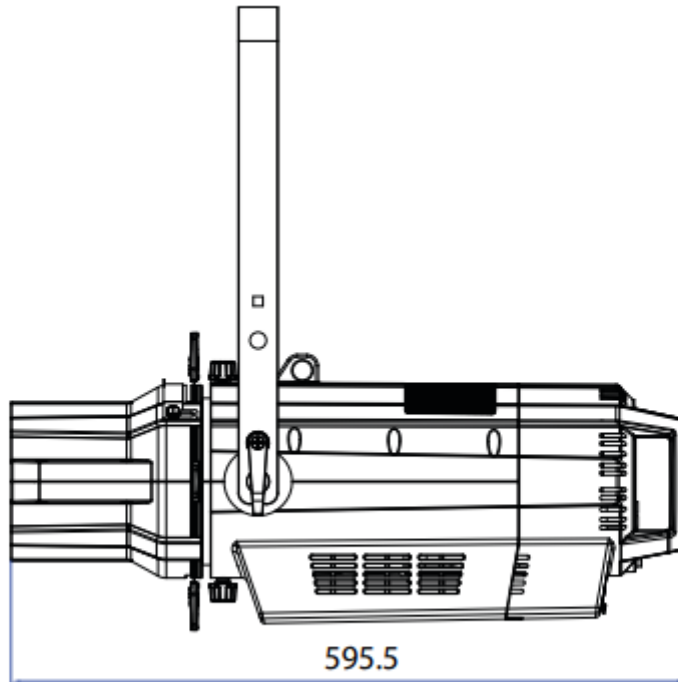
Problems	Possible Causes	Checks and Remedies
Fixture does not light up	-No mains supply -Dimmer fader set to 0 -Faulty LED -Faulty LED board	-Check the supply voltage -Increase the value of the dimmer channels -Replace the LED board -Replace the LED board
General low light intensity	-Dirty lens assembly -Misaligned lens assembly	-Clean the fixture regularly -Install lens assembly properly
Fixture does not power up	-No power -Loose or damaged power cord -Faulty internal power supply	-Check for power at power outlet -Check power cord -Replace internal power supply

Contact an authorized service centre in case of technical problems or not reported in the table cannot be resolved by the procedure given in the table.

OVERVIEW



DIMENSIONS

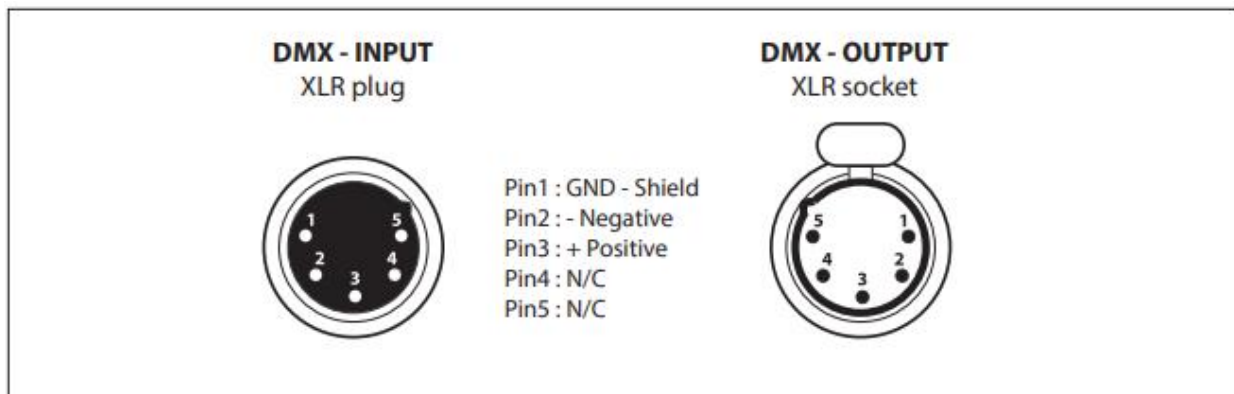


OPERATION

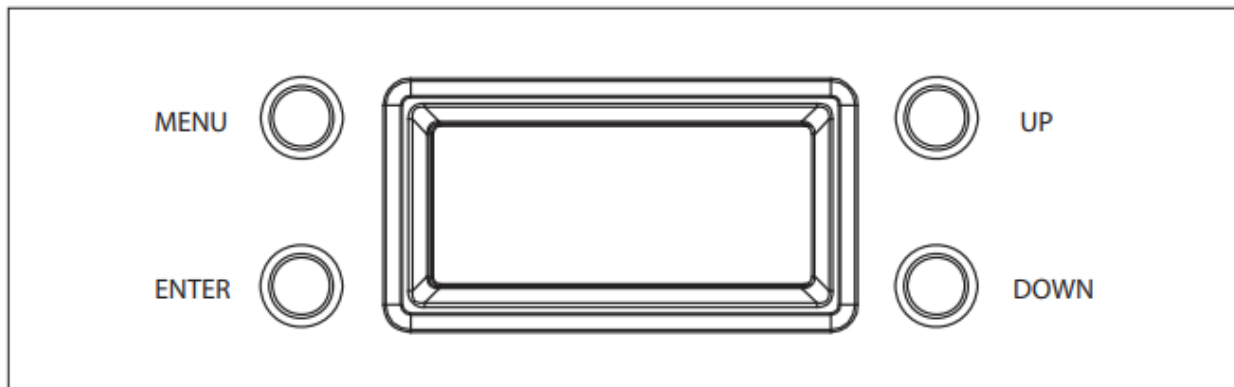
Display menu functions

- DMX Address: Assign DMX starting address to the fixture.
- DMX Mode: Select between 1, 4, 5, 7, 11, 13, 13.2, 17 channel modes or HSV.
- Colour Temperature: Select from 36 different white temperatures (2800K – 8000K)
- Hue Adjust: -25%/+25% submenu.
- Manual Colour Mixer: Manually set RGBAL values to create custom colours.
- Master/Slave: Set the Fixture to function either as master or slave when linking multiple units.
- Dimmer Mode: Set the preferred dimming curve (1=fast, 2=medium, 3=slow)
- White Balance: Adjust RGBAL values related to set white balance.
- LED Frequency: Select the preferred frequency (for achieving flicker-free video playback).
- Fan Mode: Select either variable speed (Auto) or always on (High).
- Back Light: Set display to darken after 10, 20 or 30 seconds, or set to always on (On)
- Information: View operating hours, software version and device ID.
- Factory Reset: Reset to default values.

DMX Pin Diagram

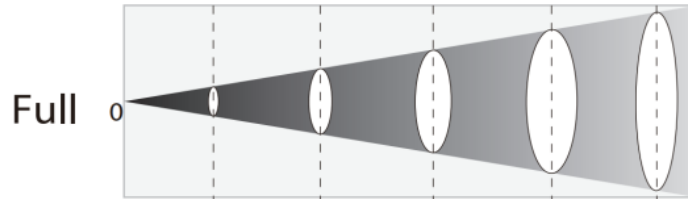


Display and Function Buttons



PHOTOMETRICS

Beam Angle: 19°



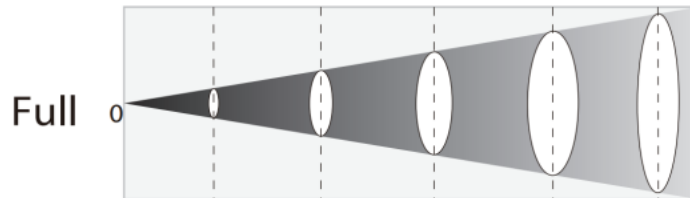
Distance (m)

1m 3m 5m 7m 10m

Luminance (lux)

13410014900 5364 2736 1341

Beam Angle: 26°



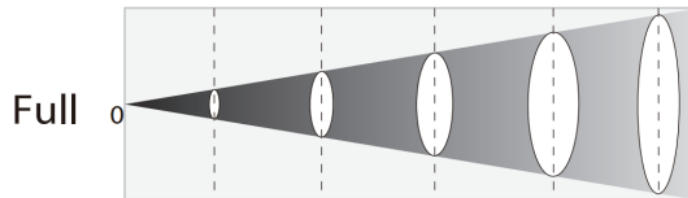
Distance (m)

1m 3m 5m 7m 10m

Luminance (lux)

77310 8590 3092 1577 773

Beam Angle: 36°



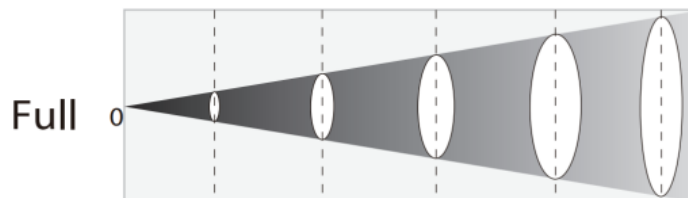
Distance (m)

1m 3m 5m 7m 10m

Luminance (lux)

3974744386 1578 805 394

Beam Angle: 50°



Distance (m)

1m 3m 5m 7m 10m

Luminance (lux)

18720 2080 748 382 187

MENU FUNCTIONS

No.	Main Menu	Menu Level 2	Menu Level 3	Meu Level 4	Default
1	DMX Address	<001>			001
2	DMX Channel	1Ch			11Ch
		4Ch			
		5Ch			
		7Ch			
		11Ch			
		13Ch			
		13Ch2			
		17Ch			
		HSV			
3	Static	Colour Temperature	2800K	Dimmer<0 – 255> Hue <-25 – 25>	2800K
			2900K		
			3000K		
			3100K		
			3200K		
			...		
			...		
			5600K		
			5700K		
			6000K		
			6500K		
			7000K		
		7500K			
		8000K			
		Manual Colour Mixer	Red	0 – 255	All = 255
			Green	0 – 255	
			Blue	0 – 255	
			Amber	0 – 255	
		Lime	0 – 255		
4	Master/Slave	Master			Slave
		Slave			
5	Dimmer Mode	Off			Off
		Dimmer 1			
		Dimmer 2			
		Dimmer 3			
6	White Balance	Off			Off
		Manual	Red	<125 – 255>	All = 255
			Green	<125 – 255>	
			Blue	<125 – 255>	
			Amber	<125 – 255>	
			Lime	<125 – 255>	
7	LED Frequency	600Hz			1200Hz
		1200Hz			
		2000Hz			
		4000Hz			
		6000Hz			
		25kHz			
8	Fan Mode	Auto			Auto

		On			
9	Backlight	On			On
		10s			
		20s			
		30s			
10	Information	Fixture Hours	9999H		
		Version	V 1.0		
		UID	21A40138		
11	Reset Factory	No			No
		Yes			

DMX CHARTS

1Ch	Function	Value	Setting
1	Dimmer	000 – 255	0 – 100%

4Ch	Function	Value	Setting
1	Dimmer	000 – 255	0 – 100%
2	Colour Selection	000 – 005	Open
		006 – 013	C3050 Md Yellow
		014 – 021	C3040 Lt Yellow
		022 – 028	C3240 Amb Yellow
		029 – 035	C2340 Vlt Amber
		036 – 043	C2040 Lt Amber
		044 – 051	C2050 Md Amber
		052 – 059	C2060 Dk Amber
		060 – 067	C1050 Lt Red
		068 – 075	C1080 Md Red
		076 – 083	C1020 NC Pink
		084 – 091	C1030 Md Pink
		092 – 099	C1630 Dk Pink
		100 – 107	C1250 Md Red Amber
		108 – 115	C1060 Dk Red Amber
		116 – 121	C1650 Magenta
		122 – 130	C6170 Dk Magenta
		131 – 138	C6020 Lt Lavender
		139 – 146	C5030 Lt Blue
		147 – 154	C5020 Vlt Blue
		155 – 162	C5430 Lt Blue 2
		163 – 170	C5070 Blue
		171 – 178	C5050 Md Blue
		179 – 186	C5060 Dk Blue
		187 – 194	C5690 Indigo
		195 – 202	C5080 Vdk Blue
		203 – 210	C5081 Vdk Blue 2
		211 – 218	C4370 Yel Green
219 – 226	C4070 Green		
227 – 234	C4550 Turquoise		
235 – 242	C4560 Aqua		
243 – 250	C4570 Blue Green		
251 – 255	No Function		
3	Colour Temperature	000 – 005	Open
		006 – 255	2800K – 8000K
4	Hue	000 – 000	No Function
		001 – 255	-25 to 25 shift

5Ch	Function	Value	Setting
1	Red	000 – 255	0 – 100%
2	Green	000 – 255	0 – 100%
3	Blue	000 – 255	0 – 100%
4	Amber	000 – 255	0 – 100%
5	Lime	000 – 255	0 – 100%

7Ch	Function	Value	Setting
1	Dimmer	000 – 255	0 – 100%
2	Red	000 – 255	0 – 100%
3	Green	000 – 255	0 – 100%
4	Blue	000 – 255	0 – 100%
5	Amber	000 – 255	0 – 100%
6	Lime	000 – 255	0 – 100%
7	Strobe	000 – 010	Open
		011 – 255	Strobe (From fast to slow)

11Ch	Function	Value	Setting
1	Dimmer	000 – 255	0 – 100%
2	Dimmer Fine	000 – 255	0 – 100%
3	Red	000 – 255	0 – 100%
4	Green	000 – 255	0 – 100%
5	Blue	000 – 255	0 – 100%
6	Amber	000 – 255	0 – 100%
7	Lime	000 – 255	0 – 100%
8	Strobe	000 – 010	Open
		011 – 255	Strobe (From fast to slow)
9	Colour Selection	000 – 005	Open
		006 – 013	C3050 Md Yellow
		014 – 021	C3040 Lt Yellow
		022 – 028	C3240 Amb Yellow
		029 – 035	C2340 VLt Amber
		036 – 043	C2040 Lt Amber
		044 – 051	C2050 Md Amber
		052 – 059	C2060 Dk Amber
		060 – 067	C1050 Lt Red
		068 – 075	C1080 Md Red
		076 – 083	C1020 NC Pink
		084 – 091	C1030 Md Pink
		092 – 099	C1630 Dk Pink
		100 – 107	C1250 Md Red Amber
		108 – 115	C1060 Dk Red Amber
		116 – 121	C1650 Magenta
		122 – 130	C6170 Dk Magenta
		131 – 138	C6020 Lt Lavender
		139 – 146	C5030 Lt Blue
147 – 154	C5020 VLt Blue		
155 – 162	C5430 Lt Blue 2		
163 – 170	C5070 Blue		

		171 – 178	C5050 Md Blue
		179 – 186	C5060 Dk Blue
		187 – 194	C5690 Indigo
		195 – 202	C5080 Vdk Blue
		203 – 210	C5081 Vdk Blue 2
		211 – 218	C4370 Yel Green
		219 – 226	C4070 Green
		227 – 234	C4550 Turquoise
		235 – 242	C4560 Aqua
		243 – 250	C4570 Blue Green
		251 – 255	No Function
10	Colour Temperature	000 – 005	Open
		006 – 255	2800K – 8000K
11	Hue	000 – 000	No Function
		001 – 255	-25 to 25 shift

13Ch	Function	Value	Setting
1	Dimmer	000 – 255	0 – 100%
2	Red	000 – 255	0 – 100%
3	Green	000 – 255	0 – 100%
4	Blue	000 – 255	0 – 100%
5	Amber	000 – 255	0 – 100%
6	Lime	000 – 255	0 – 100%
7	Strobe	000 – 010	Open
		011 – 255	Strobe (From fast to slow)
8	Colour Selection	000 – 005	Open
		006 – 013	C3050 Md Yellow
		014 – 021	C3040 Lt Yellow
		022 – 028	C3240 Amb Yellow
		029 – 035	C2340 VLt Amber
		036 – 043	C2040 Lt Amber
		044 – 051	C2050 Md Amber
		052 – 059	C2060 Dk Amber
		060 – 067	C1050 Lt Red
		068 – 075	C1080 Md Red
		076 – 083	C1020 NC Pink
		084 – 091	C1030 Md Pink
		092 – 099	C1630 Dk Pink
		100 – 107	C1250 Md Red Amber
		108 – 115	C1060 Dk Red Amber
		116 – 121	C1650 Magenta
		122 – 130	C6170 Dk Magenta
		131 – 138	C6020 Lt Lavender
		139 – 146	C5030 Lt Blue
		147 – 154	C5020 VLt Blue
		155 – 162	C5430 Lt Blue 2
		163 – 170	C5070 Blue
		171 – 178	C5050 Md Blue
		179 – 186	C5060 Dk Blue
		187 – 194	C5690 Indigo

		195 – 202	C5080 Vdk Blue
		203 – 210	C5081 Vdk Blue 2
		211 – 218	C4370 Yel Green
		219 – 226	C4070 Green
		227 – 234	C4550 Turquoise
		235 – 242	C4560 Aqua
		243 – 250	C4570 Blue Green
		251 – 255	No Function
9	Colour Temperature	000 – 005	Open
		006 – 255	2800K – 8000K
10	Hue	000 – 000	No Function
		001 – 255	-25 to 25 shift
11	Auto Programs	000 – 010	No Function
		011 – 060	Auto Program 1
		061 – 110	Auto Program 2
		111 – 160	Auto Program 3
		161 – 210	Auto Program 4
		211 – 255	Auto Program 5
12	Auto Program Speed	000 – 255	Slow to fast
13	Control	000 – 007	No Function
		008 – 015	Dimmer Reset
		016 – 023	Red Shift On
		024 – 031	Red Shift Off
		032 – 039	Dimmer S-Curve
		040 – 047	Dimmer Linear
		048 – 055	Dimmer Square
		056 – 063	Dimmer Inverse Square
		064 – 071	Dimmer Mode Off
		072 – 079	Dimmer Mode 1
		080 – 087	Dimmer Mode 2
		088 – 095	Dimmer Mode 3
		096 – 103	Fan Auto
		104 – 111	Fan On
		112 – 119	Fan Off
		120 – 127	Fan Silent
		128 – 255	No Function

13Ch2	Function	Value	Setting
1	Dimmer	000 – 255	0 – 100%
2	Dimmer Fine	000 – 255	0 – 100%
3	Red	000 – 255	0 – 100%
4	Red Fine	000 – 255	0 – 100%
5	Green	000 – 255	0 – 100%
6	Green Fine	000 – 255	0 – 100%
7	Blue	000 – 255	0 – 100%
8	Blue Fine	000 – 255	0 – 100%
9	Amber	000 – 255	0 – 100%
10	Amber Fine	000 – 255	0 – 100%
11	Lime	000 – 255	0 – 100%
12	Lime Fine	000 – 255	0 – 100%

13	Strobe	000 – 010	Open
		011 – 255	Strobe (From fast to slow)

17Ch	Function	Value	Setting
1	Dimmer	000 – 255	0 – 100%
2	Dimmer Fine	000 – 255	0 – 100%
3	Red	000 – 255	0 – 100%
4	Red Fine	000 – 255	0 – 100%
5	Green	000 – 255	0 – 100%
6	Green Fine	000 – 255	0 – 100%
7	Blue	000 – 255	0 – 100%
8	Blue Fine	000 – 255	0 – 100%
9	Amber	000 – 255	0 – 100%
10	Amber Fine	000 – 255	0 – 100%
11	Lime	000 – 255	0 – 100%
12	Lime Fine	000 – 255	0 – 100%
13	Strobe	000 – 010	Open
		011 – 255	Strobe (From fast to slow)
14	Colour Selection	000 – 005	Open
		006 – 013	C3050 Md Yellow
		014 – 021	C3040 Lt Yellow
		022 – 028	C3240 Amb Yellow
		029 – 035	C2340 VLt Amber
		036 – 043	C2040 Lt Amber
		044 – 051	C2050 Md Amber
		052 – 059	C2060 Dk Amber
		060 – 067	C1050 Lt Red
		068 – 075	C1080 Md Red
		076 – 083	C1020 NC Pink
		084 – 091	C1030 Md Pink
		092 – 099	C1630 Dk Pink
		100 – 107	C1250 Md Red Amber
		108 – 115	C1060 Dk Red Amber
		116 – 121	C1650 Magenta
		122 – 130	C6170 Dk Magenta
		131 – 138	C6020 Lt Lavender
		139 – 146	C5030 Lt Blue
		147 – 154	C5020 VLt Blue
		155 – 162	C5430 Lt Blue 2
		163 – 170	C5070 Blue
		171 – 178	C5050 Md Blue
		179 – 186	C5060 Dk Blue
		187 – 194	C5690 Indigo
		195 – 202	C5080 Vdk Blue
		203 – 210	C5081 Vdk Blue 2
		211 – 218	C4370 Yel Green
		219 – 226	C4070 Green
		227 – 234	C4550 Turquoise
235 – 242	C4560 Aqua		
243 – 250	C4570 Blue Green		

		251 – 255	No Function
15	Colour Temperature	000 – 005	Open
		006 – 255	2800K – 8000K
16	Hue	000 – 000	No Function
		001 – 255	-25 to 25 shift
17	Control	000 – 007	No Function
		008 – 015	Dimmer Reset
		016 – 023	Red Shift On
		024 – 031	Red Shift Off
		032 – 039	Dimmer S-Curve
		040 – 047	Dimmer Linear
		048 – 055	Dimmer Square
		056 – 063	Dimmer Inverse Square
		064 – 071	Dimmer Mode Off
		072 – 079	Dimmer Mode 1
		080 – 087	Dimmer Mode 2
		088 – 095	Dimmer Mode 3
		096 – 103	Fan Auto
		104 – 111	Fan On
		112 – 119	Fan Off
120 – 127	Fan Silent		
		128 – 255	No Function

HSV	Function	Value	Setting
1	Hue	000 – 255	0 – 100%
2	Saturation	000 – 255	0 – 100%
3	Intensity	000 – 255	0 – 100%